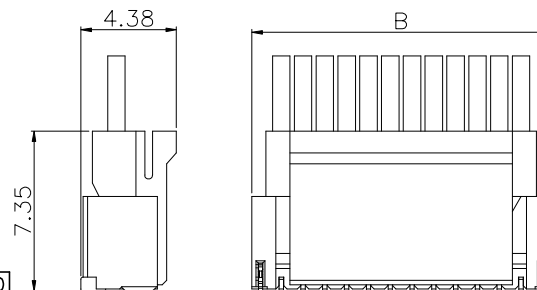
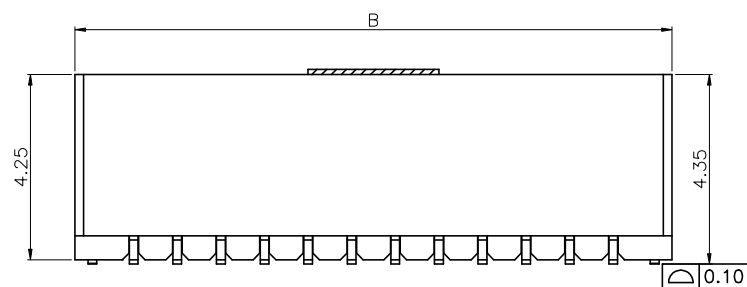
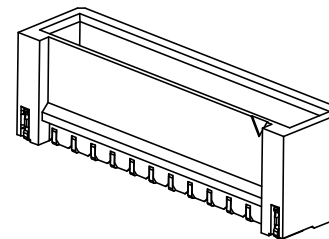
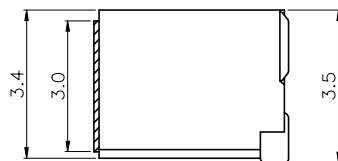
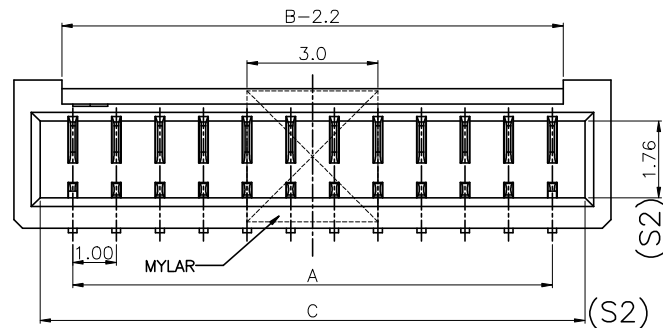


RECOMMENDED PCB LAYOUT
GENERAL TOLERANCE ± 0.05



MATTING CONDITION

NOTES:

1. MATERIAL:
 - 1.1 HOUSING:LCP, HIGH TEMP., UL94V-0; COLOR:NATURAL.
 - 1.2 CONTACT: PHOSPHOR BRONZE C5191
 - 1.3 FITTING NAIL: BRASS C2680
2. FINISH:
 - CONTACT:50u"MIN NICKEL UNDER PLATING
 - 80u"MIN PURE TIN OVERALL
3. REFLOW SOLDER CAPABLE TO 260°C PER ACES SPEC.
4. MATING P/N:92253-H,92254-T
5. SPEC. PLS. REFER TO PS-92252-XXXX-CA1
6. PACKAGE PLS. REFER TO 92252-XXXX-U-TRP
7. PART NUMBER

92252-XXX X X-CA1

NO OF CKTS PLATING
L:PURE TIN

PACKING

- 0:TAPE & REEL
- 4:TAPE & REEL WITH MYLAR
- 8:Features requiring special documentation:
 - (S2)Safety relevant amount:2
 - (L1)Legal/public authority amount:1
 - (Fx)Functional amount:XX

(S2)Internal Connector has fit well when operate the switch or do the vibration test,Interface internal connector correctly matched (freeplay),Loosing of switch-internal connection (DI) from PFMEA

(S2)Internal Connector is to avoid easily pulled out,Interface to male connector correctly matched (pull),Connector area about dimension and tolerance definition are reasonable (DI) from PFMEA

(L1)L-binding attribute relates to the flammability of the material acc. to VCS 5031.19

CKT	A	B	C	D
004	3.0	5.70	4.50	4.90
005	4.0	6.70	5.50	5.90
007	6.0	8.70	7.50	7.90
008	7.0	9.70	8.50	8.90
012	11.0	13.70	12.50	12.90

QUALITY SYMBOLS	MAJOR	CRITICAL
GENERAL TOLERANCES (UNLESS SPECIFIED)	X. ± 0.5	.X ± 0.25
	.XX ± 0.15	.XXX ± 0.1
	ANGLES $\pm 2^\circ$	

ACES ELECTRONICS

TITLE: 1.0mm WTB CONN.SMT S/T S/R TYPE

UNITS	mm	SCALE	1 : 1	SIZE	A4	REV	F	R/Q NO.	NA
SHEET NO.	1 OF 1	DWG NO.	92252-XXXX-CA1						